

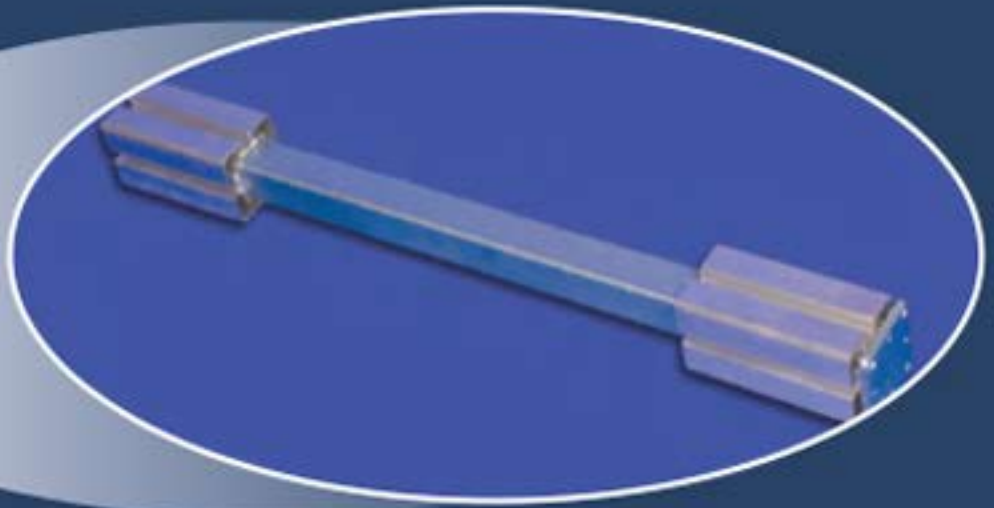
# NEWEL, PORCH POSTS, POST MOUNTS AND POST ADAPTERS

Newel & Porch Posts  
Post Surface Mounts  
Blu-Mount™  
Round Post Adapters



[www.Justpolyit.com](http://www.Justpolyit.com)

[Marketing@polyvinyle.com](mailto:Marketing@polyvinyle.com)





Product #

Description

Box  
Wt.

Box  
Qty.

Available  
Colors

## Newel & Porch Posts



**3290-CORE** 2.485" x 108" Metal Core (4 x 4)  
For use with a (4" Sq. Post) with F-42468 (Plate, Porch Column Mounting) & 1524W (4" Sq. Skirt)

5 lbs  $\frac{1}{\text{Skid Qty N/A}}$



**3250-CORE** 3.25" x 108" Metal Core (5 x 5)  
For use with a (5" Sq. Post) with F-42468 (Plate, Porch Column Mounting) & 1525 (5" Sq. Skirt)

6 lbs  $\frac{1}{\text{Skid Qty N/A}}$



1448

**4" Sq. Porch Post Mounting Plate**  
Minimum post inside dimension 3.580" x 3.580", Fits internally Extends 1.250" into post mounting hardware not supplied, Includes: (2) ea. mounting plates are required for each post

4.5 lbs  $\frac{12}{\text{Skid Qty 1500 pcs}}$



**3290-POSTHARDWARE**

**4" Sq. Porch Post Structural Hardware Kit**  
Includes: (1) ea. 108" long aluminum core, (4) ea. 39" filler strips, (2) ea. mounting plates, (12) ea. #10 x 1.0" self tapping stainless steel screws. Does not include porch post. Structural Kit Only.

13 lbs  $\frac{1}{\text{Skid Qty N/A}}$



3021

**4" Sq. x 108" Porch Post**  
Includes structural mounting hardware Corner Radius are 0.40625R Length tolerance +/- 1/2" Weight Rating: 3,400 LBS Engineering Data Available LMT Almond (NA), LMT Khaki (KK), have a 20% up charge over White. LMT Khaki (KK) available by special order in pallet quantities ONLY.

25 lbs  $\frac{1}{\text{Skid Qty 60 pcs}}$

W: White  
Available in pallet Qty only for  
NA: Almond  
KK: Khaki





Product #

Description

Box  
Wt.

Box  
Qty.

Available  
Colors

## Newel & Porch Posts



3290-NSPP

4" Sq. x 108" Porch Post -  
Non Structural

Porch Post Only, Corner Radius 0.375" Length tolerance +/- 1/2" Uses Post Skirt Part 1069C (Not Included) Engineering Data Available

12 lbs  $\frac{1}{\text{Skid Qty } 64 \text{ pcs}}$

W: White  
NA: Almond  
KK: Khaki

3290-SPP KIT

4" Sq. x 108" Porch Post Kit -  
Structural

Includes structural mounting hardware Corner Radius are 0.375" Length tolerance +/- 1/2, Uses Post Skirt Part 1069C (Not Included) Engineering Data Available

25 lbs  $\frac{1}{\text{Skid Qty } 64 \text{ pcs}}$

W: White  
NA: Almond  
KK: Khaki



3026

4" Sq. x 96" Porch Post Wrap -4 Piece  
4" x 96" Post Wrap Includes: (4) ea. 3-3/8" x 1-5/8" x 96"  
Post Wraps - Flat Design For Use On 4" Wood Post,  
Inside Dimension: 3.78" Sq.  
(Use 1189 Adjustable 4 pc. Post Skirt)

10 lbs  $\frac{1}{\text{Skid Qty } 36 \text{ pcs}}$

W: White  
KK: Khaki  
NA: Almond



3027

4" Sq. x 120" Porch Post Wrap - 4 Piece  
Includes: (4) ea. 3-3/8" x 1-5/8" x 120" Post Wraps  
- Flat Design For Use On 4" Wood Post, Inside  
Dimension: 3.78" Sq.  
(Use 1189 Adjustable 4 pc. Post Skirt)

14.5 lbs  $\frac{1}{\text{Skid Qty } 36 \text{ pcs}}$

W: White  
KK: Khaki  
NA: Almond



3300-NSNP

4" Sq. x 48" Newel Post -Non Structural

Corner Radius are 0.375" Length tolerance +/- 1/2" Uses Post Skirt Part 1069C (Not Included) We recommend Blu-Mount® For Mounting. (Post Mount Not Included)

5 lbs  $\frac{1}{\text{Skid Qty } 64 \text{ pcs}}$

W: White  
KK: Khaki  
NA: Almond



Product #

Description

Box  
Wt.

Box  
Qty.

Available  
Colors

## Newel & Porch Posts



3020

**4" Sq. x 48" Newel Post -Non Structural**  
Uses Post Skirt part 1089C (Not Included) Post mount not included. Works great with Blu-Mount™ post mounts. See page 88-89 LMT Almond (NA), LMT Khaki (KK), have a 20% up charge over White. LMT Khaki (KK) available by special order in pallet quantities ONLY.

5 lbs

1  
Skid Qty  
60  
pcs

W: White  
Available in pallet Qty only for KK: Khaki NA: Almond



1449

**5" Sq. Porch Post Mounting Plate**  
Minimum post inside dimension 4.570" Sq., Fits internally, extends 1.250" into post

6.5 lbs

12  
Skid Qty  
1152  
pcs

Mounting hardware not supplied, (2) ea. Plates are required for each post



3250  
POSTHARDWARE

**5" Sq. Porch Post Structural Hardware Kit**

Includes: (1) ea. 108" long aluminum core, (4) ea. 39" filler strips (2) ea. mounting plates, (12) ea. #10 x 1.0" self tapping stainless steel screws

15 lbs

1  
Skid Qty  
42  
pcs

Does Not Include Porch Post. Structural Kit Only







Product #

Description

Box  
Wt.

Box  
Qty.

Available  
Colors

## Newel & Porch Posts



3022

### 5" Sq. x 108" Porch Post

Includes: Structural mounting hardware, Corner Radius are 0.40625", Length tolerance +/- 1/2", Weight Rating: 5,000 LBS, Engineering Data. Available: LMT Almond (NA), LMT Khaki (KK), have a 20% up charge over White. LMT Khaki (KK) available by special order in pallet quantities ONLY

30 lbs

1  
Skid Qty  
40  
pcs

W: White

Available in pallet Qty only for KK: Khaki NA: Almond



3250-NSPP

### 5" Sq. x 108" Porch Post Kit - Non Structural

Porch Post Only, Corner Radius 0.375" Length tolerance +/- 1/2"

15 lbs

1  
Skid Qty  
42  
pcs

W: White

KK: Khaki  
NA: Almond



1609

### 5" Sq. x 108" Raised Panel Porch Post

5" Sq. x 108", Load: 15,000 lbs. (max), Uplift: 1,475 lbs. (max)

Structural Post Includes:

(4) ea. filler strips, (1) ea. Metal Core, (2) ea. mounting plates & (1) ea. screw pack

30 lbs

1  
Skid Qty  
42  
pcs

W: White

KK: Khaki  
NA: Almond



Product #

Description

Box  
Wt.

Box  
Qty.

Available  
Colors

## Newel & Porch Posts



1610

**5" Sq. x 108" Recessed Panel Post**

5" Sq. x 108", Load: 15,000 lbs. (max).

Uplift: 1,475 lbs. (max)

Structural Post Includes:

(4) ea. filler strips, (1) ea. Metal Core, (2) ea. mounting plates & (1) ea. screw pack

1  
Skid Qty  
40  
pcs

W: White



1601

**5" Sq. x 38" Recessed Newel Post**

5" Sq. x 38" Recessed Panel Newel Post. The inner dimension of the newel post is 3.650"

Newel mounts available

1  
Skid Qty  
40  
pcs

W: White



1602

**5" Sq. x 54" Recessed Newel Post (Step)**

newel mounts available

1  
Skid Qty  
40  
pcs

W: White



3028

**6" Sq. x 96" Porch Post Wrap - 4 Piece**

Includes: (4) ea. 4-7/8" x 2-5/16" x 96" Post Wraps - Flat Design For Use On 6" Wood Post, Inside Dimension: 5.78" Sq. (Use 1189 Adjustable 4 pc. Post Skirt)

15 lbs 1  
Skid Qty  
36  
pcs

W: White  
KK: Khaki  
NA: Almond



3029

**6" Sq. x 120" Porch Post Wrap - 4 Piece**

Includes: (4) ea. 4-7/8" x 2-5/16" x 120" Post Wraps - Flat Design For Use on 6" Wood Post, Inside Dimension: 5.78" Sq. (Use 1189 Adjustable 4 pc. Post Skirt)

18 lbs 1  
Skid Qty  
36  
pcs

W: White  
KK: Khaki  
NA: Almond





Product #

Description

Box  
Wt.

Box  
Qty.

Available  
Colors

## Newel & Porch Posts



8636G

**6" Sq. x 36" Newel Mount-Galvanized**  
Use With: Recessed Newel Post, 6" Sq. Vintage Newel Post, INCLUDES: (1ea) Leveling Plate, (4) ea. 3/8" x 1" Leveling Bolts, (4) ea. 6" Spacers (IBC rated-Up to 1,250lbs)

1



8642G

**6" Sq. x 42" Newel Mount-Galvanized**  
With: Recessed Newel Post, 6" Sq. Vintage Newel Post, INCLUDES: (1ea) Leveling Plate, (4) ea. 3/8" x 1" Leveling Bolts, (4) ea. 6" Spacers (IBC rated-Up to 1,250lbs)

1



1611

**6" Sq. x 108" Recessed Panel Post**  
6" Sq. x 108", Load: 18,000 lbs. (max), Uplift: 1,1475 lbs. (max) Structural Post Includes: (4) ea. filler strip, (1) ea. Aluminum Core, (2) ea. mounting plates & (1) ea. screw pack

1

Skid Qty  
40  
pcs

W: White



Product #

Description

Box  
Wt.

Box  
Qty.

Available  
Colors

## Newel & Porch Posts



1603

6" Sq. x 38" Recessed Newel Post  
newel mounts available

1  
Skid Qty  
40  
pcs

W: White



1607

6" Sq. x 38" Vintage Newel Post  
newel mounts available

1  
Skid Qty  
40  
pcs

W: White



1604

6" Sq. x 54" Recessed Newel Post (Step)  
newel mounts available

1  
Skid Qty  
40  
pcs

W: White



1608

6" Sq. x 54" Vintage Newel Post (Step)  
newel mounts available

1  
Skid Qty  
40  
pcs

W: White





Product #

Description

Box  
Wt.

Box  
Qty.

Available  
Colors

## Newel & Porch Posts



8826S

**8" Sq. x 26" Newel Mount- Stainless**  
Use With: 8" Sq. Recessed Newel Post, INCLUDES:  
(1) ea. Leveling Plate, (4) ea. 3/8" x 1" Leveling Bolts,  
(2) ea. Aluminum Inserts (IBC rated-Up to 1,500lbs)

1



8836S

**8" Sq. x 36" Newel Mount- Stainless**  
Use With: 8" Sq. Recessed Newel Post, INCLUDES:  
(1) ea. Leveling Plate, (4) ea. 3/8" x 1" Leveling Bolts,  
(2)ea. Aluminum Inserts (IBC rated-Up to 1,500lbs)

1



1605

**8" Sq. x 38" Recessed Newel Post**  
newel mounts available

1  
Skid Qty  
40  
pcs

W: White



1606

**8" Sq. x 54" Recessed Newel Post (Step)**  
newel mounts available

1  
Skid Qty  
40  
pcs

W: White



Product #

Description

Box  
Wt.

Box  
Qty.

Available  
Colors

## Newel & Porch Posts



1616

**8" Straight Round Column (108" long)**

Load: 18,000 lbs. (max), Uplift: 1,600 lbs. (max)  
Structural Column Includes: (2) ea. filler strip, (1) ea.  
Aluminum Core, (1) ea. mounting plates &  
(1) ea. screw pack

1  
Skid Qty  
40  
pcs

W: White



1617

**8" Straight Trim set (3 per)**

1  
Skid Qty  
40  
pcs

W: White



1612

**8" Tapered Round Column (108" long)**

Structural Column Includes: (2) ea. filler strip, (1) ea.  
Aluminum Core, (1) ea. mounting plates &  
(1) ea. screw pack

1  
Skid Qty  
40  
pcs

W: White



1613

**8" Tapered Trim Set (3 per)**

1  
Skid Qty  
40  
pcs

W: White





Product #

Description

Box  
Wt.

Box  
Qty.

Available  
Colors

## Newel & Porch Posts



1614

**10" Tapered Round Column (108" long)**

Load: 18,000 lbs. (max), Uplift: 1,600 lbs. (max)  
Structural Column Includes: (2) ea. filler strip, (1) ea. Aluminum Core, (1) ea. mounting plates & (1) ea. screw pack

1  
Skid Qty  
40  
pcs

W: White



1615

**10" Straight Trim set (3 per)**

1  
Skid Qty  
40  
pcs

W: White



F-42468

**Plate, Porch Column Mounting**

Outside Dimension: 5.721" Sq., Plate may be used with:  
3290-CORE 2-31/64" x 108" Metal Core (4" Sq.) 1524 4" 14 lbs  
Sq. Post Skirt, 0.125" or 3250 CORE 3-1/4" x 108" Metal  
Core (5" Sq.) 1525 5" Sq. Post Skirt

50  
Skid Qty  
40  
pcs

N/A



| Product # | Description | Box Wt. | Box Qty. | Available Colors |
|-----------|-------------|---------|----------|------------------|
|-----------|-------------|---------|----------|------------------|

## Post Surface Mounts



|       |  |        |                       |  |
|-------|--|--------|-----------------------|--|
| 1573C | <b>36" Angle Wizard Post Mount General Purpose w/ 4" Top Leveling Guide -(Galvanized)</b><br>36" Post Mount General Purpose w/ 4" PVC Guides For use with a 36" Railing Galvanized Mount, (1) ea. PVC Top Leveling Guide, (1) ea. PVC Guide and (2) ea. shims. | 12 lbs | 1                     |  |
|       |  |        | Skid Qty<br>80<br>pcs |  |



|       |   |        |                       |  |
|-------|---|--------|-----------------------|--|
| 1573F | <b>36" Angle Wizard Post Mount General Purpose w/ 5" Top Leveling Guide -(Galvanized)</b><br>For use with 5" Sq. Post O.D. 3.588", Includes: (1) ea. mount, (1) ea. PVC Top Leveling Guide, (1) ea. PVC Guide. Does not include mounting hardware. (U.S. Patent #7530550) | 12 lbs | 1                     |  |
|       |   |        | Skid Qty<br>80<br>pcs |  |



|       |   |        |                       |  |
|-------|---|--------|-----------------------|--|
| 1573A | <b>36" Post Mount General Purpose w/ 4" PVC Guides -(Galvanized)</b><br>36" Post Mount General Purpose w/ 4" PVC Guides For use with a 36" Railing galvanized mount, (2) ea. PVC-Guides and (2) ea. shims. Independently tested to meet ACC174 (U.S. Patent #7530550) | 12 lbs | 1                     |  |
|       |   |        | Skid Qty<br>80<br>pcs |  |



Product #

Description

Box  
Wt.

Box  
Qty.

Available  
Colors

## Post Surface Mounts



1573B

**36" Post Mount General Purpose w/ 5" PVC Guides-(Galvanized)**

36" Post Mount General Purpose w/ 5" PVC Guides For use with a 36" Railing galvanized mount, (2) ea. PVC Guides and (2) ea. shims. Independently tested to meet ACC174 (U.S. Patent #7530550)

12 lbs

1  
Skid Qty  
80  
pcs



1574B

**42" Post Mount General Purpose w/ 5" PVC Guides-(Galvanized)**

42" Post Mount General Purpose w/ 5" PVC Guides For use with a 42" Railing Galvanized Mount, (2) ea. PVC Guides and (2) ea. Shims., (U.S. Patent #7530550)

14 lbs

1  
Skid Qty  
80  
pcs



1574A

**42" Post Mount General Purpose w/ 4" PVC Guides -(Galvanized)**

42" Post Mount General Purpose w/ 4" PVC Guides for use with a 42" Railing Galvanized Mount, (2) ea. PVC Guides and (2) ea. shims., (U.S. Patent #7530550)

14 lbs

1  
Skid Qty  
80  
pcs





Product #

Description

Box  
Wt.

Box  
Qty.

Available  
Colors

## Post Surface Mounts



1757

### 6" Guide Angle Wizard Adapter for sleeving over 4" Guides

Designed to adapt any LMT 4" post mount guide to work with a 6" post sleeve, compatible with 1573A, 1573C, 1533A, 1574A, 1574C, 1366C-HD, 1367C-HD, 1366F-HD, 1367F sold singularly (2 ea. required per post mount) (U.S. Patent #7530550)

34 lbs  $\frac{24}{384}$   
Skid Qty  
pcs

## Blu-Mount™

Blu-Mount™ is a post surface mount designed for installing a 4" and 5" post to concrete, wood and composite decking. Blu-Mount™ is designed with an adjustable leveling feature to ensure accurate installation. They are made from Q235 steel with a Dachromate coating for superior rust prevention in even the most severe environments. The aluminum guides are made from 6063 T5 Aluminum alloy. Both the aluminum and PVC guides are designed to function with all wall thickness of 4" and 5" post profiles. NOTE: Hardware pack #1368 for Wood & Composite applications or #1369 for Concrete applications must be ordered to complete the installation. U.S. Patent # 7,530,550



1366C-HD

### Blu-Mount™ 36" Heavy Duty For 4" Post w/ PVC Guides

For use with 4" Sq. Post O.D. 3.568", Includes: (1) ea. mount, (2) ea. PVC Guides Does not include mounting hardware (US patent #7,530,550)

12 lbs  $\frac{1}{80}$   
Skid Qty  
pcs



Product #

Description

Box  
Wt.

Box  
Qty.

Available  
Colors

## Blu-Mount™



1366D-HD

**Blu-Mount™ 36" Heavy Duty For 5" Post w/  
PVC Guides**

For use with 5" Sq. Post O.D. 4.588", Includes: (1) ea. mount, (2) ea. PVC Guides Does not include mounting hardware (US patent #7,530,550)

12 lbs

1  
Skid Qty  
80  
pcs



1367C-HD

**Blu-Mount™ 42" Heavy Duty For 4" Post w/  
PVC Guides**

For use with 4" Sq. Post O.D. 3.588", Includes: (1) ea. mount, (2) ea. PVC Guides Does not include mounting hardware (US patent #7,530,550)

12 lbs

1  
Skid Qty  
80  
pcs



1367D-HD

**Blu-Mount™ 42" Heavy Duty For 5" Post w/  
PVC Guides**

For use with 5" Sq. Post O.D. 4.588", Includes: (1) ea. mount, (2) ea. PVC Guides Does not include mounting hardware (US patent #7,530,550)

12 lbs

1  
Skid Qty  
80  
pcs



1366F-HD

**Blu-Mount Angle Wizard 36" Heavy Duty  
For 4" Post w/ PVC Top Leveling Guide**

For use with 4" Sq. Post O.D. 3.588", Includes: (1) ea. mount, (1) ea. PVC Top Leveling Guide, (1) ea. PVC Guide. Does not include mounting hardware.

12 lbs

1  
Skid Qty  
80  
pcs



Product #

Description

Box  
Wt.

Box  
Qty.

Available  
Colors

## Blu-Mount™



1366G

### Blu-Mount Angle Wizard 36" Heavy Duty For 5" Post w/ PVC Top Leveling Guide

For use with 5" Sq. Post O.D. 4.568", Includes: (1) ea. mount, (1) ea. PVC Top Leveling Guide, (1) ea. PVC Guide. Does not include mounting hardware. (U.S. Patent #7530550)

14 lbs

1  
Skid Qty  
80  
pcs



1367F

### Blu-Mount Angle Wizard 42" Heavy Duty For 4" Post w/ PVC Top Leveling Guide

For use with 4" Sq. Post O.D. 3.568", Includes: (1) ea. Mount, (1) ea. PVC Top Leveling Guide, (1) ea. PVC Guide. Does not include mounting hardware.

14 lbs

1  
Skid Qty  
80  
pcs



1367G

### Blu-Mount Angle Wizard 42" Heavy Duty For 5" Post w/ PVC Top Leveling Guide

For use with 5" Sq. Post O.D. 4.568", Includes: (1) ea. mount, (1) ea. PVC Top Leveling Guide, (1) ea. PVC Guide. Does not include mounting hardware. (U.S. Patent #7530550)

14 lbs

1  
Skid Qty  
80  
pcs



1369-HD

### Blu-Mount™

#### Post Mount Mount Hardware Concrete

Blu-Mount™ is a post surface mount designed for installing a 4" and 5" post to concrete, wood and composite decking.

Blu-Mount™ is designed with an adjustable leveling feature to ensure accurate installation. They are made from Q235 steel with a Dachromate coating for superior rust prevention in even the most severe environments. The aluminum guides are made from 6063 T5 Aluminum alloy. Both the aluminum and PVC guides are designed to function with all wall thickness of 4" and 5" post profiles. NOTE: Hardware pack #1388 for Wood & Composite applications or #1389 for Concrete applications must be ordered to complete the installation. U.S. Patent # 7,530,550

15 lbs

10  
Skid Qty  
500  
pcs





Product #

Description

Box  
Wt.

Box  
Qty.

Available  
Colors

## Blu-Mount™ & Galvanized Hardware

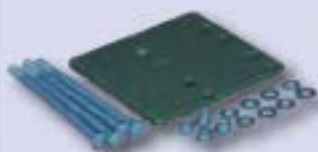


1368-HD

### Blu-Mount™ Post Mount Mount Hardware Wood Heavy Duty

Blu-Mount™ is a post surface mount designed for installing a 4" and 5" post to concrete, wood and composite decking. Blu-Mount™ is designed with an adjustable leveling feature to ensure accurate installation. They are made from Q235 steel with a Dachromate coating for superior rust prevention in even the most severe environments. The aluminum guides are made from 6083 T5 Aluminum alloy. Both the aluminum and PVC guides are designed to function with all wall thickness of 4" and 5" post profiles. NOTE: Hardware pack #1368 for Wood & Composite applications or #1369 for Concrete applications must be ordered to complete the installation.  
U.S. Patent # 7,530,550

36 lbs  $\frac{10}{\text{Skid Qty 500 pcs}}$

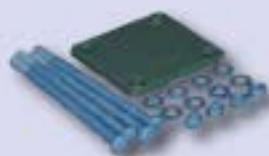


1760

### Angle Wizard Blu Mount Post Mount Hardware -Wood

(4) ea.- 5/16" - 18x3" Bolts, (4) ea.- 5/16" - 18 Hex Nuts, (8) ea. - 5/16 Flat Washer, Heavy Duty Mounting Plate & (1) ea.- Post Mount Instructions - Wood

26 lbs  $\frac{10}{\text{Skid Qty N/A}}$



1759

### Angle Wizard Galvanized Post Mount Hardware -Wood

(4) ea.- 5/16" - 18x3" Bolts, (4) ea.- 5/16" - 18 Hex Nuts, (8) ea. - 5/16 Flat Washer, Mounting Plate & (1) ea.- Post Mount Instructions - Wood

15 lbs  $\frac{10}{\text{Skid Qty N/A}}$



1758

### Angle Wizard Post Mount Hardware -Concrete

(4) ea.- 1/4 x 3" Powers Wedge Bolts, (4) ea. - 5/16 Flat Washer & (1) ea.- Post Mount Instructions -CONCRETE (can be used for Blu-Mount or galvanized)

7 lbs  $\frac{25}{\text{Skid Qty N/A}}$



Product #

Description

Box  
Wt.

Box  
Qty.

Available  
Colors

## Blu-Mount™ Installation Instructions

### Step 1

- Lay out the location of the post.
- Wood Only** – Install at least 3" of blocking under the mounting location. Securely attach the blocking using reinforcement screws.

### Step 2

- Using the leveling plate as a template, mark the locations of the 4 mounting holes to be drilled.
- Concrete Only** – Drill 4 holes into the concrete using a 1/4" diameter masonry drill bit. The hole must be drilled to a minimum depth of 3-1/2".
- Wood Only** – Drill 4 holes through the decking and blocking using a 3/8" diameter drill bit.
- Clean out the holes of all dust and debris.

### Step 3

- Install the 4 leveling bolts into the post mount member.
- Place the leveling plate on the concrete or decking surface, as appropriate, and align over the 4 drilled holes.
- Place the post mount member on top of the leveling plate and align the 4 holes.
- Adjust the leveling screws to ensure the post mount member is level.

### Step 4 – Concrete Only

- Install the 4 concrete bolts with washers, as shown, by applying downward pressure while turning in a clockwise direction.
- Continue to tighten the bolts until the heads are firmly seated. (Do not over tighten.)

### Step 4 – Wood Only

- Install the 4 mounting bolts with washers, as shown.
- On the underside, place the back plate over the exposed mounting bolts. (Use the centered holes for in-line applications and the offset holes for corner applications.)
- Secure the back plate by using the supplied mounting nuts and washers.

### Step 5

- Install the two guide blocks onto the post mount member. They should be positioned so that the screws from the railing brackets will screw into the guide blocks.
- Once the proper heights are established, drill a 3/16" diameter hole through both the guide block and the post mount member. Install the supplied guide block screws to hold the guide blocks in place.

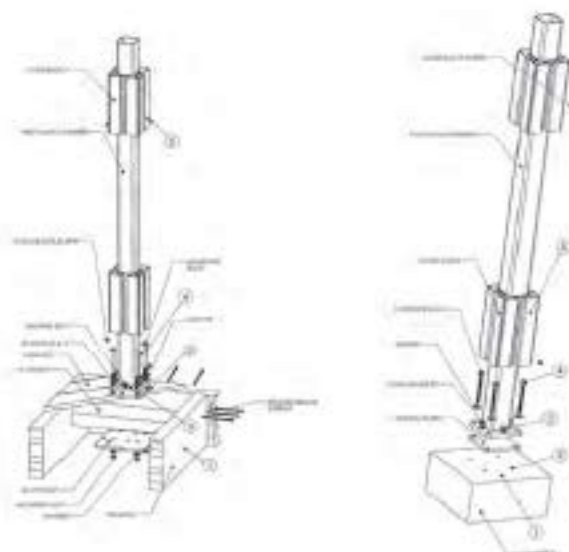
### Step 6

- Install the post profile and rail brackets according to manufacturer specifications.

### IMPORTANT:

Installer must consult local code officials for compliance to building code requirements.

PATENT PENDING



WOOD

CONCRETE



Product #

Description

Box  
Wt.

Box  
Qty.

Available  
Colors

## Round Post Adapters

|           |   |        |                                    |
|-----------|---|--------|------------------------------------|
| 1289A-KIT | <p>4" Sq. Rook Kit with 1.625" ID<br/>Includes: (2) ea. Rooks (8) ea. #12 x 3/4" hex head self-tapping stainless steel screws</p> | 22 lbs | <p>20<br/>Skid Qty<br/>500 pcs</p> |
|-----------|---|--------|------------------------------------|

|           |   |        |                                    |
|-----------|---|--------|------------------------------------|
| 1289B-KIT | <p>4" Sq. Rook Kit with 2.0" ID<br/>Includes: (2) ea. Rooks (8) ea. #12 x 3/4" hex head self-tapping stainless steel screws</p> | 22 lbs | <p>20<br/>Skid Qty<br/>500 pcs</p> |
|-----------|---|--------|------------------------------------|

|           |   |        |                                    |
|-----------|---|--------|------------------------------------|
| 1290A-KIT | <p>5" Sq. Rook Kit with 1.625" ID<br/>Includes: (2) ea. Rooks (8) ea. #12 x 3/4" hex head self-tapping stainless steel screws</p> | 35 lbs | <p>20<br/>Skid Qty<br/>500 pcs</p> |
|-----------|---|--------|------------------------------------|

|           |   |        |                                    |
|-----------|---|--------|------------------------------------|
| 1290B-KIT | <p>5" Sq. Rook Kit with 2.0" ID<br/>Includes: (2) ea. Rooks (8) ea. #12 x 3/4" hex head self-tapping stainless steel screws</p> | 34 lbs | <p>20<br/>Skid Qty<br/>500 pcs</p> |
|-----------|---|--------|------------------------------------|

|           |   |        |                                    |
|-----------|---|--------|------------------------------------|
| 1290C-KIT | <p>5" Sq. Rook Kit with 2.375" ID<br/>Includes: (2) ea. Rooks (8) ea. #12 x 3/4" hex head self-tapping stainless steel screws</p> | 35 lbs | <p>20<br/>Skid Qty<br/>500 pcs</p> |
|-----------|---|--------|------------------------------------|







Product #

Description

Box  
Wt.

Box  
Qty.

Available  
Colors

## Round Post Adapters



U.S. Patent  
#D552,264

### Convert from a Round Steel Post to Vinyl

Size:

Five (5) sizes are available:  
Fits 4" and 5" vinyl sleeves.

The Rook Post Mount Adapter is a 100% PVC sleeve designed to fill the void between standard sized 1-5/8", 1-7/8", 2", 2-3/8". round pipe and a 4" or 5" vinyl post. The Rook acts as a spacer from the outside wall of the pipe to the wall thicknesses of 4" and 5" vinyl posts. They slide over the round pipe and are fastened with screws. Just slide the vinyl post over The Rook Post Mount Adapters and you have a professionally installed vinyl post.

**Benefits:**

1. Allows for vinyl post installation in troubled areas.
2. Offers the option of retrofitting chain-link fences to vinyl.
3. Adds flexibility with various wall thicknesses of vinyl posts.
4. Provides the option of no digging and no mess vinyl post installation.

