

# PICKET & RAIL END CAPS



**P**oly  
**V**inyl  
**C**reations

[www.Justpolyit.com](http://www.Justpolyit.com)  
[Marketing@polyvinylc.com](mailto:Marketing@polyvinylc.com)



Picket Caps  
End Caps

Picket & Rail End Caps



 LMT Mercer Group, Inc.



Product #	Description	Box Wt.	Box Qty.	Available Colors
-----------	-------------	---------	----------	------------------

### .75" x 1.5" Picket Caps



1082	<b>.75" x 1.5" Sharp Picket Cap</b> Minimum profile inside dimensions: 0.574" x 1.330", Corner radius: 0.143", Extends 0.745" into the profile, Total height: 2.330"	11 lbs	400 <hr/> Skid Qty 19200 pcs	W: White NA: Almond
------	---	--------	---------------------------------------	------------------------



1057	<b>.75" x 1.5" Sharp Picket Cap - Self Locking</b> Minimum profile inside dimensions: 0.574" x 1.330", Corner radius: 0.143" Extends 0.745" into the profile, Total height: 2.330" (U.S. Patent #6,561,499)	13 lbs	400 <hr/> Skid Qty 19200 pcs	W: White
------	--	--------	---------------------------------------	----------

### .875" x 1.5" Picket Caps



1467	<b>.875" x 1.5" Dog Ear Picket Cap</b> Minimum profile inside dimension 0.0750" x 1.370", Corner radius: 0.188", Extends 0.625" into the profile, Total height : 1.125" (U.S. Patent #6,561,499)	7.5 lbs	500 <hr/> Skid Qty 48000 pcs	W: White KK: Khaki NA: Almond
------	---	---------	---------------------------------------	-------------------------------------



FW77935	<b>.875" x 1.5" Dog Ear Picket Cap</b> Minimum profile inside dimensions: 0.720" x 1.350", Outside Dimensions: 0.865" x 1.490", Corner Radius: 3/16", Overall Height: 0.500", Extends into picket 0.625"	10 lbs	500 <hr/> Skid Qty N/A	W: White KK: Khaki NA: Almond KT: Beige
---------	---	--------	------------------------------	--



1085	<b>.875" x 1.5" Sharp Picket Cap</b> Minimum profile inside dimensions 0.700" x 1.326", Corner radius: 0.157", Extends 0.910" into the profile, Total height: 2.410"	11 lbs	400 <hr/> Skid Qty 19200 pcs	W: White KK: Khaki NA: Almond KT: Beige
------	---	--------	---------------------------------------	--



1159	<b>.875" x 1.5" Sharp Picket Cap</b> Minimum profile inside dimensions 0.745" x 1.362", Corner radius: 0.150", Extends 0.915" into the profile, Total height: 2.420"	12 lbs	400 <hr/> Skid Qty 19200 pcs	W: White KK: Khaki NA: Almond KT: Beige
------	---	--------	---------------------------------------	--



P-7815H	<b>.875" x 1.5" Sharp Picket Cap - Heavy Wall</b> Minimum profile inside dimensions 0.710" x 1.340" Wall 0.080", Corner radius: 0.156" Extends 0.900" into the profilem Total height: 2.440"	15 lbs	500 <hr/> Skid Qty 24000 pcs	W: White KK: Khaki NA: Almond
---------	---	--------	---------------------------------------	-------------------------------------



Product #	Description	Box Wt.	Box Qty.	Available Colors
-----------	-------------	---------	----------	------------------

## .875" x 3" Picket Caps



**1442** .875" x 3" Dog Ear Picket Cap  
 Minimum profile inside dimensions 0.770" x 2.880",  
 Corner radius: 0.140", Extends 0.845" into the profile,  
 Total height: 1.830"

25 lbs 400  
 Skid Qty 19200 pcs  
 W: White  
 KK: Khaki  
 NA: Almond  
 KT: Beige  
 MW: Mocha Walnut  
 (check for price)



**1206-SL** .875" x 3" Dog Ear Picket Cap - Self Locking  
 Minimum profile inside dimensions 0.720" x 2.776",  
 Corner radius: 0.188", Extends 0.900" into the profile,  
 Total height: 1.980" (U.S. Patent #6,561,489)

17 lbs 300  
 Skid Qty 14400 pcs  
 W: White  
 KK: Khaki  
 NA: Almond



**P-78DW** .875" x 3" Dog Ear Picket Cap - Thin Wall  
 Minimum profile inside dimensions: 0.715" x 2.890",  
 Outside Dimensions: 0.875" x 3.000", Corner Radius:  
 7/32", Overall Height: 0.550", Extends into picket: 0.990"

17 lbs 300  
 Skid Qty 14400 pcs  
 W: White  
 KK: Khaki  
 NA: Almond  
 KT: Beige  
 MW: Mocha Walnut  
 (check for price)



**1541** 0.875" x 3" Pinion Picket Cap  
 Minimum profile inside dimensions 0.740" x 2.860" ID, Max-  
 imum 0.875" x 3.000" x 1.500" High, Corner Radius:  
 0.125", Internal Fit: 0.750"

21 lbs 300  
 Skid Qty 10800 pcs  
 W: White  
 KK: Khaki  
 NA: Almond  
 KT: Beige



**FW41011** .875" x 3" Pointed Picket Cap  
 Minimum profile inside dimension 0.765" x 2.905",  
 Corner radius 0.188", Extends 0.0700" into the profile,  
 Total height: 1.750"

21 lbs 250  
 Skid Qty N/A  
 W: White  
 KK: Khaki  
 NA: Almond  
 KT: Beige



**1066A** .875" x 3" Sharp Picket Cap  
 Minimum profile inside dimensions: 0.758" x 2.890",  
 Outside Dimensions: 0.872" x 3.005", Corner Radius:  
 7/32", Overall Height: 2.400", Extends into picket 0.750"

18 lbs 250  
 Skid Qty 12000 pcs  
 W: White  
 KK: Khaki  
 NA: Almond  
 KT: Beige



**1066** .875" x 3" Sharp Picket Cap  
 Minimum profile inside dimensions 0.895" x 2.825",  
 Corner radius: 0.188", Extends 0.900" into the profile,  
 Total height: 2.900"

25 lbs 250  
 Skid Qty 12000 pcs  
 W: White  
 KK: Khaki  
 NA: Almond  
 KT: Beige



Product #

Description

Box  
Wt.

Box  
Qty.

Available  
Colors

## .875" x 3" Picket Caps



P-78S

**.875" x 3" Sharp Picket Cap**  
Minimum profile inside dimensions 0.700" x 2.855",  
Corner radius: 0.156", Extends 0.825" into the profile,  
Total height: 2.830"

25 lbs

250  
Skid Qty  
12000  
pcs

W: White  
KK: Khaki  
NA: Almond



1056

**.875" x 3" Sharp Picket Cap - Self Locking**  
Minimum profile inside dimensions 0.895" x 2.825",  
Corner radius: 0.188", Extends 0.900" into the profile,  
Total height: 2.900" (U.S. Patent #6,561,499)

17 lbs

250  
Skid Qty  
12000  
pcs

W: White  
KK: Khaki  
NA: Almond



P-78SW

**.875" x 3" Sharp Picket Cap - Thin Wall**  
Minimum profile inside dimensions 0.770" x 2.880",  
Corner radius: 0.156", Extends 0.825" into the profile,  
Total height: 2.830"

18 lbs

250  
Skid Qty  
12000  
pcs

W: White  
KK: Khaki  
NA: Almond  
KT: Beige

## .875" x 3.5" Picket Caps



OTI-  
14DEPC

**.875" x 3.5" Dog Ear Picket Cap**  
Minimum profile inside dimensions 0.745" x 3.380",  
Corner radius: 0.125", Extends 0.875" into the profile,  
Total height: 2.765"

11 lbs

150  
Skid Qty  
7200  
pcs

W: White  
KK: Khaki  
NA: Almond  
KT: Beige



1075

**.875" x 3.5" Sharp Picket Cap**  
Minimum profile inside dimensions 0.745" x 3.380",  
Corner radius: 0.125", Extends 0.875" into the profile,  
Total height: 2.765"

18 lbs

250  
Skid Qty  
9000  
pcs

W: White

## .875" x 5.5" Picket Caps



FW77936

**.875" x 5.5" Dog Ear Picket Cap**  
Minimum profile inside dimensions: 0.745" x 5.315",  
Outside Dimensions: 0.858" x 5.500", Corner Radius:  
15/64", Overall Height: .550

21 lbs

125  
Skid Qty  
N/A

W: White  
KK: Khaki  
NA: Almond  
KT: Beige



Product #	Description	Box Wt.	Box Qty.	Available Colors
-----------	-------------	---------	----------	------------------

## .875" x 6" Picket Caps



**P-786D** .875" x 6" Dog Ear Picket Cap  
 Minimum profile inside dimensions 0.730" x 5.850",  
 Corner radius: 0.125", Extends 0.700" into the profile,  
 Total height: 1.700"

260  
 23 lbs  $\frac{\text{Skid Qty}}{12480}$   
 pcs

W: White  
 NA: Almond



**1049A** .875" x 6" Dog Ear Picket Cap  
 Minimum profile inside dimensions 0.766" x 5.860",  
 Corner radius: 0.120", Extends 0.890" into the profile,  
 Total height: 1.890"

125  
 14 lbs  $\frac{\text{Skid Qty}}{6000}$   
 pcs

W: White  
 KK: Khaki  
 NA: Almond  
 KT: Beige



**1049B** .875" x 6" Dog Ear Picket Cap  
 Minimum profile inside dimensions 0.722" x 5.860",  
 Corner radius: 0.120", Extends 0.890" into the profile,  
 Total height: 1.890"

125  
 14 lbs  $\frac{\text{Skid Qty}}{6000}$   
 pcs

W: White  
 KK: Khaki



**1058** .875" x 6" Dog Ear Picket Cap - Self Locking  
 Minimum profile inside dimensions 0.766" x 5.860",  
 Corner radius: 0.120", Extends 0.890" into the profile,  
 Total height: 1.890" (U.S. Patent #6,561,499)

125  
 13 lbs  $\frac{\text{Skid Qty}}{6000}$   
 pcs

W: White  
 NA: Almond



**1067** .875" x 6" Dog Ear Picket Cap - Self Locking  
 Minimum profile inside dimensions 0.722" x 5.860",  
 Corner radius: 0.120", Extends 0.890" into the profile,  
 Total height: 1.890"

125  
 14 lbs  $\frac{\text{Skid Qty}}{6000}$   
 pcs

W: White  
 NA: Almond

## 1" Sq. Picket Caps

**1022** 1" Sq. Arrowhead Picket Cap  
 Maximum profile dimensions 1.010" Sq., Corner  
 radius: Square, Extends 0.75" over the profile,  
 Total height: 4.160"

300  
 13 lbs  $\frac{\text{Skid Qty}}{10800}$   
 pcs

W: White  
 KK: Khaki  
 NA: Almond



Product #

Description

Box  
Wt.

Box  
Qty.

Available  
Colors

## 1" Sq. Picket Caps



1021

### 1" Sq. Boy Scout Picket Cap

Maximum profile dimensions 1.010" Sq., Corner radius: Square, Extends 1.000" over the profile, Total height: 4.160"

23 lbs

300

Skid Qty  
10800  
pcs

W: White  
NA: Almond



1044

### 1" Sq. Gothic Picket Cap

Maximum profile dimensions 1.010" Sq., Corner radius: Square, Extends 0.450" over the profile, Total height: 1.875"

16 lbs

500

Skid Qty  
24000  
pcs

W: White  
NA: Almond

## 1" x 6" Dog Ear Picket Caps



1013

### 1" x 6" Dog Ear Picket Cap

Minimum profile inside dimensions 0.815" x 5.740", Corner radius: 0.125", Extends 0.700" into the profile, Total height: 1.700"

16 lbs

150

Skid Qty  
7200  
pcs

W: White  
KK: Khaki  
NA: Almond  
KT: Beige



P-16D

### 1" x 6" Dog Ear Picket Cap

Minimum profile inside dimensions 0.825" x 5.740", Corner radius: 0.125", Extends 0.700" into the profile, Total height: 1.700"

24 lbs

240

Skid Qty  
11500  
pcs

W: White  
KK: Khaki  
NA: Almond  
KT: Beige

## 1.25" Sq. Picket Caps



1197

### 1.25" Sq. Lance Picket Cap

Maximum profile dimensions 1.260" Sq., Corner radius: 0.125", Total height: 7.640", Overall outside dimensions: 3.065" x 1.700"

14 lbs

100

Skid Qty  
3600  
pcs

W: White  
KK: Khaki  
NA: Almond  
KT: Beige



1338

### 1.25" Sq. Sharp Picket Cap

Minimum profile inside dimensions 1.040" Sq., Corner radius: 0.125", Extends 0.500" into the profile, Total height: 1.180"

8 lbs

500

Skid Qty  
48000  
pcs

W: White  
KK: Khaki  
NA: Almond



Product #	Description	Box Wt.	Box Qty.	Available Colors
-----------	-------------	---------	----------	------------------

## 1.25" Sq. Picket Caps



1199	<b>1.25" Sq. Spear Picket Cap</b> Maximum profile dimensions 1.280" Sq., Corner radius: 0.125", Total height: 6.920", Overall outside dimensions: 3.740" x 2.010"	15 lbs	100 <hr/> Skid Qty 3600 pcs	W: White KK: Khaki NA: Almond KT: Beige
------	--	--------	--------------------------------------	--

## 1.375" Sq. Picket Caps



P-138P	<b>1.375" Sq. Sharp Picket Cap</b> Minimum profile inside dimensions 1.220" Sq., Corner radius: 0.125", Extends 0.720" into the profile, Total height: 1.540"	12.3 lbs	500 <hr/> Skid Qty 24000 pcs	W: White KK: Khaki NA: Almond KT: Beige MW: Mocha Walnut (check for price)
--------	--	----------	---------------------------------------	---

1116	<b>1.375" Sq. Sharp Picket Cap</b> Maximum profile inside dimensions 1.197" Sq., Corner radius: 0.125", Extends 0.502" into the profile, Total height: 1.228"	9 lbs	500 <hr/> Skid Qty 24000 pcs	W: White KK: Khaki NA: Almond KT: Beige
------	--	-------	---------------------------------------	--

P-13PW	<b>1.375" Sq. Sharp Picket Cap -Thin Wall</b> Minimum profile inside dimensions 1.290" Sq., Corner radius: 0.125", Extends 0.720" into the profile, Total height: 1.530"	13 lbs	500 <hr/> Skid Qty 24000 pcs	W: White KK: Khaki NA: Almond
--------	---	--------	---------------------------------------	-------------------------------------

## 1.5" Sq. Picket Caps



1048	<b>1.5" Sq. Beveled Picket Cap</b> Maximum profile dimensions 1.525" Sq., Corner radius: 0.094", Extends 0.310" over the profile, Total height 0.860"	14 lbs	850 <hr/> Skid Qty 40800 pcs	W: White NA: Almond
------	--	--------	---------------------------------------	------------------------



Product #

Description

Box  
Wt.

Box  
Qty.

Available  
Colors

## 1.5" Sq. Picket Caps



1371

### 1.5" Sq. Gothic Picket Cap

Maximum profile outside dimensions 1.510" Sq.,  
Corner radius: 0.125", Extends 0.400" over the  
profile, Total height: 2.980"

12 lbs

200

Skid Qty  
9600  
pcs

W: White  
NA: Almond

1341

### 1.5" Sq. Sharp Picket Cap

Minimum profile inside dimensions 1.390" Sq.,  
Corner radius: 0.125", Extends 0.720" into the profile,  
Total height: 1.300"

8 lbs

350

Skid Qty  
33600  
pcs

W: White  
KK: Khaki  
NA: Almond  
KT: Beige

1068

### 1.5" Sq. Sharp Picket Cap

Minimum profile inside dimensions 1.330" Sq.,  
Corner radius: 0.094", Extends 0.580" into the profile,  
Total height: 1.325"

11 lbs

500

Skid Qty  
24000  
pcs

W: White  
NA: Almond



1074

### 1.5" Sq. Sharp Picket Cap

Minimum profile inside dimensions 1.370" Sq.,  
Corner radius: 0.094", Extends 0.475" into the profile,  
Total height: 1.325"

11 lbs

500

Skid Qty  
24000  
pcs

W: White  
KK: Khaki  
NA: Almond  
KT: Beige

1133

### 1.5" Sq. Sharp Picket Cap

Minimum profile inside dimensions 1.371" Sq.,  
Corner radius: 0.188", Extends 0.500" into the profile,  
Total height: 1.520"

11 lbs

500

Skid Qty  
24000  
pcs

W: White  
KK: Khaki  
NA: Almond  
KT: Beige

P-15P

### 1.5" Sq. Sharp Picket Cap

Minimum profile inside dimensions 1.350" Sq.,  
Corner radius: 0.125", Extends 0.800" into the profile,  
Total height: 1.420"

12.5 lbs

500

Skid Qty  
24000  
pcs

W: White  
KK: Khaki  
NA: Almond  
MW: Mocha Walnut  
(check for price)





Product #

Description

Box  
Wt.

Box  
Qty.

Available  
Colors

## 1.5" Sq. Picket Caps



P-15PH

**1.5" Sq. Sharp Picket Cap - Thick Wall**  
Minimum profile inside dimensions 1.320" Sq.,  
Corner radius: 0.125", Extends 0.600" into the profile,  
Total height: 1.420"

12.5 lbs  $\frac{500}{\text{Skid Qty } 24000 \text{ pcs}}$

W: White  
KK: Khaki  
NA: Almond  
KT: Beige

## 1.75" Sq. Picket Caps



P-175P

**1.75" Sq. Sharp Picket Cap**  
Minimum profile inside dimensions 1.575" Sq.,  
Corner radius: 0.188", Extends 0.700" into the profile,  
Total height: 1.800"

14 lbs  $\frac{400}{\text{Skid Qty } 19200 \text{ pcs}}$

W: White  
KK: Khaki  
NA: Almond  
KT: Beige  
MW: Mocha Walnut  
(check for price)

## 2" Sq. Picket Caps

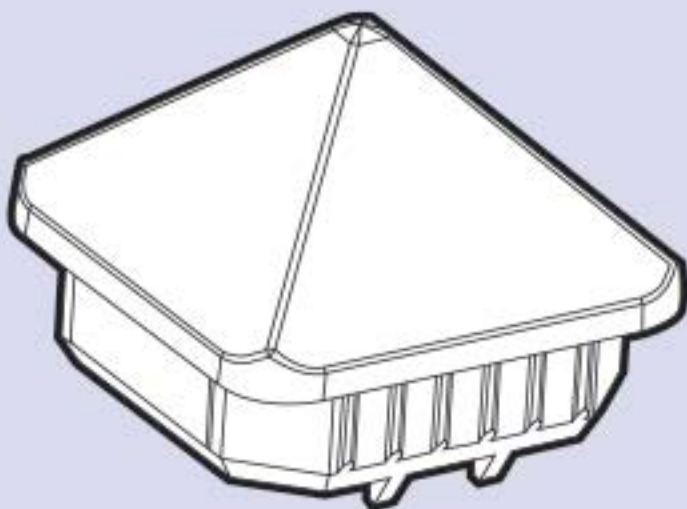


1047

**2" Sq. Beveled Picket Cap**  
Maximum profile dimensions 2.040" Sq., Corner  
radius: 0.125", Extends 0.310" over the profile,  
Total height 1.150"

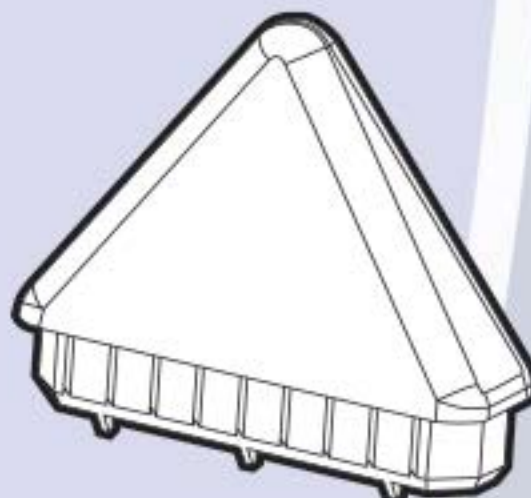
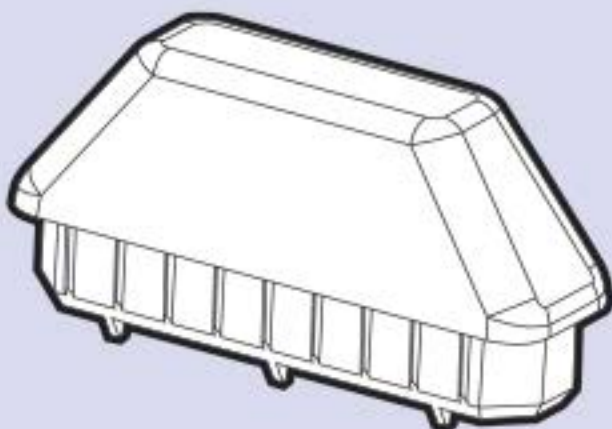
14 lbs  $\frac{400}{\text{Skid Qty } 19200 \text{ pcs}}$

W: White  
KK: Khaki  
NA: Almond  
KT: Beige



The ultrasonically weldable picket cap from LMT Mercer Group's is the latest innovation designed to save our customers time and money in fence section fabrication. The ultrasonically weldable picket caps were first introduced to customers in 2006.

The patented (patent # US 7,204,898) LMT Mercer Group, Inc ultrasonically weldable picket caps are automatically welded onto your picket extrusions using custom designed caps with "ultrasonic energy directors". The weldable picket caps eliminate the need for messy glue and expensive labor. Customers interested in weldable picket caps are asked to contact LMT Mercer Group, Inc Customer Service, as there are specific requirements to fit each extrusion manufacturers picket extrusion profile dimensions.





Product #

Description

Box  
Wt.

Box  
Qty.

Available  
Colors

## End Caps



1076

**.875" x 1.5" End Cap - External**  
Maximum profile dimensions 0.893" x 1.490",  
Corner radius: 0.125", Extends 0.995" over the  
profile, Total height: 1.061"

13 lbs  $\frac{500}{\text{Skid Qty } 24000 \text{ pcs}}$

W: White  
KK: Khaki  
NA: Almond



OTI-  
7815ICC

**.875" x 1.5" End Cap - Internal**  
Minimum profile inside dimensions: 0.716" x 1.341",  
Corner radius: 1/8", Fits internally, Extends 0.353"  
into the profile, Total height: 0.435"

13 lbs  $\frac{500}{\text{Skid Qty } 24000 \text{ pcs}}$

W: White  
KK: Khaki  
NA: Almond  
KT: Beige



EEC-783

**0.875" x 3" End Cap - External**  
Maximum profile dimensions 0.885" x 3.010",  
Corner radius: 0.080", Extends 0.980" over the  
profile, Total height: 1.030"

8.5 lbs  $\frac{200}{\text{Skid Qty } 9600 \text{ pcs}}$

W: White  
NA: Almond



EC-11

**1" Sq. End Cap - Internal**  
Minimum profile inside dimensions 0.890" x 0.890",  
Corner radius: 0.093", Extends 0.625" into the  
profile, Total height: 0.720"

4.25 lbs  $\frac{500}{\text{Skid Qty } 62500 \text{ pcs}}$

W: White  
KK: Khaki  
NA: Almond



1014

**1" x 4" End Cap - Internal**  
Minimum profile inside dimensions 0.850" x 3.820",  
Corner radius: 0.156", Extends 0.410" into the  
profile, Total height: 0.500"

25 lbs  $\frac{800}{\text{Skid Qty } 38400 \text{ pcs}}$

W: White  
KK: Khaki  
NA: Almond  
KT: Beige



1018

**1" x 6" End Cap - Internal**  
Minimum profile inside dimensions 0.815" x 5.720",  
Corner radius: 0.156", Extends 0.400" into the  
profile, Total height: 0.530"

18 lbs  $\frac{450}{\text{Skid Qty } 43200 \text{ pcs}}$

W: White



OTI-22ICC

**1.5" Sq. End Cap - Internal**  
Minimum profile inside dimensions: 1.350" x 1.350",  
Corner radius: 0.125", Fits internally, Extends 0.375"  
into the profile, Total height: 0.483"

4 lbs  $\frac{400}{\text{Skid Qty } 25000 \text{ pcs}}$

W: White  
KK: Khaki  
NA: Almond  
KT: Beige



EC-1555

**1.5" x 5.5" End Cap - Internal**  
Minimum profile inside dimensions 1.320" x 5.290",  
Corner radius: 0.188", Extends 0.680" into the  
profile, Total height: 0.780"

8 lbs  $\frac{125}{\text{Skid Qty } 12000 \text{ pcs}}$

W: White  
KK: Khaki  
NA: Almond  
KT: Beige

Product #	Description	Box Wt.	Box Qty.	Available Colors
<b>End Caps</b>				
	<b>1052</b> 1.5" x 5.5" End Cap - Internal Minimum profile inside dimensions 1.275" x 5.300", Corner radius: 0.156", Extends 0.620" into the profile, Total height: 0.720"	22 lbs	400 Skid Qty 19200 pcs	W: White KK: Khaki NA: Almond
	<b>1692</b> 1.5" x 5.5" External End Cap Minimum profile inside dimensions 1.520" x 5.520" ID, Maximum 1.690" x 5.690" x 1.500" OD, Corner Radius: 0.098", Internal Fit: 0.560"	9 lbs	100 Skid Qty 9600 pcs	W: White KK: Khaki NA: Almond KT: Beige
	<b>1700</b> 1.5" x 5.5" Post Hole Cover End Cap Minimum profile inside dimensions 2.500" x 6.500" OD, Corner Radius: 0.250", Internal Fit: For a routed hole 1.520" x 5.540"	2 lbs	24 Skid Qty 8928 pcs	W: White KK: Khaki NA: Almond KT: Beige
	<b>EC-175</b> 1.75" Sq. End Cap - Internal Minimum profile inside dimensions 1.580" Sq., Corner radius: 0.188", Extends 0.700" into the profile, Total height: 0.790"	7.5 lbs	300 Skid Qty 28800 pcs	W: White NA: Almond
	<b>1425</b> 1.75" x 3.5" End Cap - External Maximum profile outside dimension 1.750" x 3.580", Corner radius 0.300", Extends 1.375" over the profile, Total height: 1.500"	9 lbs	100 Skid Qty 4800 pcs	W: White KK: Khaki NA: Almond KT: Beige
	<b>EEC-1735</b> 1.75" x 3.5" End Cap - External Maximum profile outside dimension 1.767" x 3.502", Corner radius 0.156", Extends 0.56" over the profile, Total height: 0.961"	7.5 lbs	150 Skid Qty 5400 pcs	W: White NA: Almond
	<b>EC-1735</b> 1.75" x 3.5" End Cap - Internal Maximum profile outside dimension 1.528" x 3.263", Outer Corner radius 0.188", Extends 0.653" into the profile, Total height: 0.753"	9 lbs	175 Skid Qty 21875 pcs	W: White KK: Khaki NA: Almond KT: Beige
	<b>1579</b> 1.75" x 3.5" Routed Post Hole Cover Overall dimensions 2.250" x 4.000" x 0.375"	11 lbs	230 Skid Qty 22080 pcs	W: White KK: Khaki NA: Almond KT: Beige



Product #


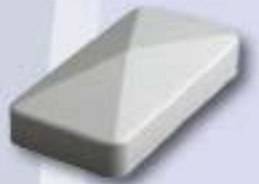






Description

Box  
Wt.

Box  
Qty.

Available  
Colors

## End Caps

	1426	<b>2" x 3.5" End Cap - External</b> Maximum profile outside dimension 2.008" x 3.508", Corner radius 0.156", Extends 0.568" over the profile, Total height: 0.998"	8 lbs	114 Skid Qty 10944 pcs	W: White KK: Khaki NA: Almond KT: Beige
	EEC-235	<b>2" x 3.5" End Cap - External</b> Maximum profile outside dimension 1.995" x 3.495", Corner radius 0.154", Extends 0.586" over the profile, Total height: 1.000"	7 lbs	100 Skid Qty 9600 pcs	W: White KK: Khaki NA: Almond KT: Beige MW: Mocha Walnut (check for price)
	1016	<b>2" x 3.5" End Cap - Internal</b> Minimum profile inside dimensions 1.710" x 3.215", Corner radius: 0.172", Extends 0.500" into the profile, Total height: 0.615"	19 lbs	320 Skid Qty 31200 pcs	W: White NA: Almond
	1050	<b>2" x 3.5" End Cap - Internal</b> Minimum profile inside dimensions 1.780" x 3.300", Corner radius: 0.250", Extends 0.620" into the profile, Total height: 0.720"	31 lbs	420 N/A	W: White KK: Khaki NA: Almond KT: Beige
	EC-235	<b>2" x 3.5" End Cap - Internal</b> Minimum profile inside dimensions 1.750" x 3.250", Corner radius: 0.203", Extends 0.490" into the profile, Total height: 0.610"	11 lbs	200 Skid Qty 19200 pcs	W: White KK: Khaki NA: Almond
	EC-R235	<b>2" x 3.5" End Cap - Internal</b> Minimum profile inside dimensions 1.810" x 3.300", Corner radius: 0.203", Extends 0.490" into the profile, Total height: 0.610"	11 lbs	200 Skid Qty 19200 pcs	W: White KK: Khaki NA: Almond KT: Beige
	EEC-260	<b>2" x 6" End Cap - External</b> Maximum profile dimensions 2.010" x 6.010", Corner radius: 0.140", Extends 0.600" over the profile, Total height: 1.030"	10 lbs	100 Skid Qty 3600 pcs	W: White KK: Khaki NA: Almond KT: Beige MW: Mocha Walnut (check for price)
	1170A	<b>2" x 6" End Cap - Internal</b> Minimum profile inside dimensions 1.783" x 5.773", Corner radius: 0.219", Extends 0.625" into the profile, Total height: 0.725"	12 lbs	150 Skid Qty 14400 pcs	W: White NA: Almond KT: Beige

TO ORDER: Call 888-570-5252 ext. 74, Fax: 609-989-1199, Email: [orders@lmtproducts.com](mailto:orders@lmtproducts.com)

Product #	Description	Box Wt.	Box Qty.	Available Colors
<b>End Caps</b>				
	<b>2" x 6" End Cap - Internal</b> Minimum profile inside dimensions 1.750" x 5.738", Corner radius: 0.219", Extends 0.625" into the profile, Total height: 0.725"	11 lbs	150 <hr/> Skid Qty 14400 pcs	W: White NA: Almond KT: Beige
	<b>2" x 6" End Cap - Internal</b> Minimum profile inside dimensions 1.722" x 5.707", Corner radius: 0.219", Extends 0.625" into the profile, Total height: 0.725"	11 lbs	150 <hr/> Skid Qty 14400 pcs	W: White KK: Khaki NA: Almond KT: Beige
	<b>2" x 6" End Cap - Internal Ribbed Rail</b> Minimum profile inside dimensions 1.810" x 5.845", Corner radius: 0.158", Extends 0.630" into the profile, Total height: 0.730"	18 lbs	200 <hr/> Skid Qty 14400 pcs	W: White NA: Almond
	<b>2" x 6" End Cap - Internal</b> Minimum profile inside dimensions 1.820" x 5.820", Corner radius: 0.203", Extends 0.790" into the profile, Total height: 0.890"	9 lbs	100 <hr/> Skid Qty 9600 pcs	W: White NA: Almond MW: Mocha Walnut (check for price)
	<b>2" x 6" End Cap - Internal</b> Minimum profile inside dimensions 1.730" x 5.770", Corner radius: 0.203", Extends 0.750" into the profile, Total height: 0.850"	9 lbs	200 <hr/> Skid Qty 9600 pcs	W: White
	<b>2" x 6" End Cap - Internal</b> Minimum profile inside dimensions 1.730" x 5.730", Corner radius: 0.250", Extends 0.750" into the profile, Total height: 0.890"	9 lbs	200 <hr/> Skid Qty 9600 pcs	W: White
	<b>2" x 8" End Cap - Internal</b> Minimum profile inside dimensions 1.700" x 7.720", Corner radius: 0.109", Extends 0.500" into the profile, Total height: 0.650"	38 lbs	240 <hr/> Skid Qty 11520 pcs	W: White NA: Almond
	<b>2" x 8" External End Cap</b> Minimum profile inside dimensions 2.190" x 8.190" x 0.998" ID, Maximum 2.020" x 8.020" x 1.500" OD, Corner Radius: 0.588"	8 lbs	50 <hr/> Skid Qty 4800 pcs	W: White KK: Khaki NA: Almond KT: Beige